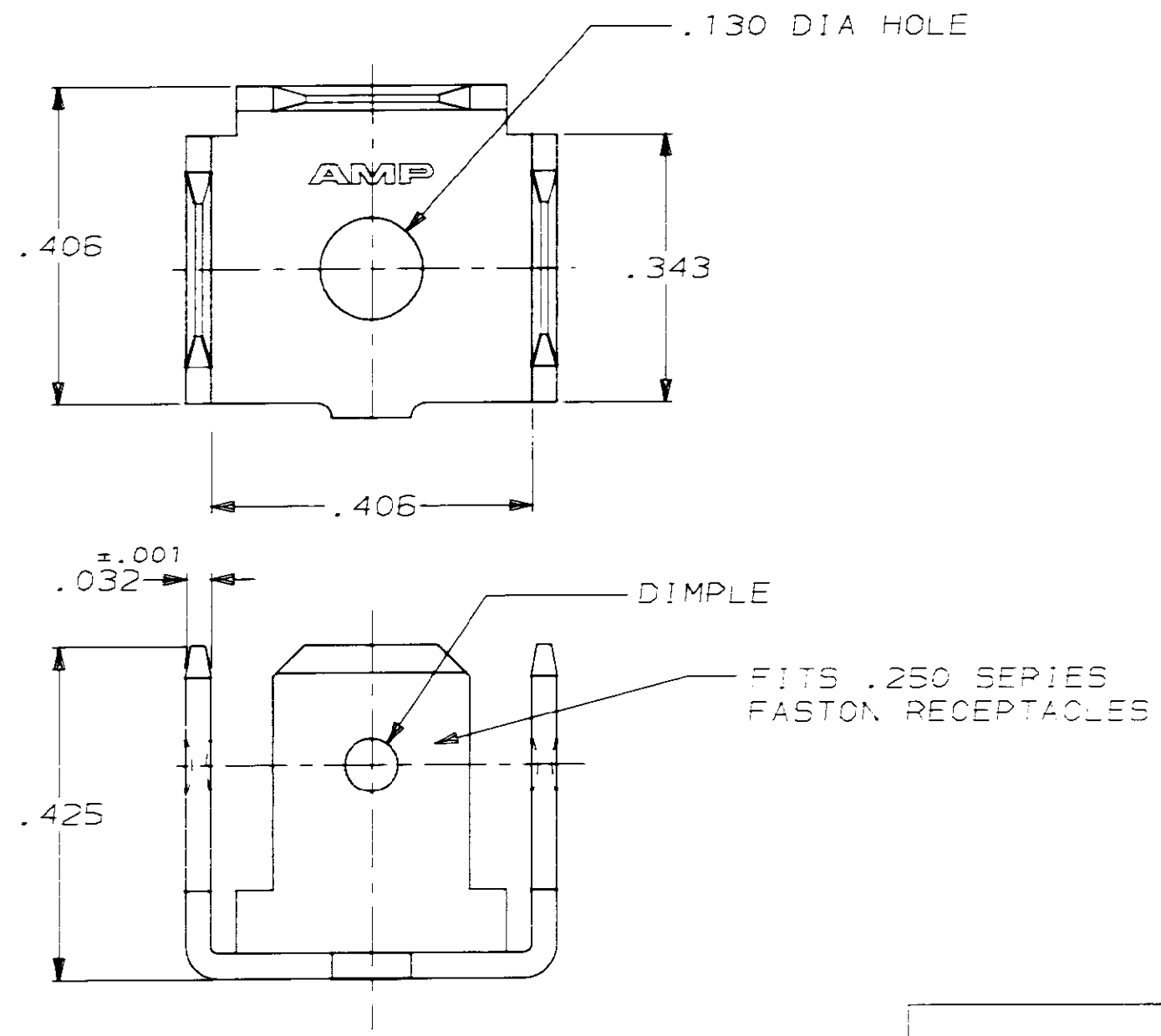


THIS DRAWING IS UNPUBLISHED. RELEASED FOR PUBLICATION .19  
 © COPYRIGHT 19 BY AMP INCORPORATED. ALL INTERNATIONAL RIGHTS RESERVED.

LOC	DIST	P	F	REVISIONS		DATE	APPD
AF	50			ZONE	LTR	DESCRIPTION	
					C	REDRAWN AF-7757	JR
							12/30/91



1 TO BE SUPPLIED IN LOOSE PIECE.

62261-1  
 PART NO

DO NOT SCALE PRINT. UNLESS SPECIFIED DIMENSIONS ARE IN INCHES TOLERANCES ON: 2 PLC DEC = .015 3 PLC DEC = - ANGLES = 1°	DR 12/30/91	<b>AMP</b> AMP Incorporated Harrisburg, PA 17105-3608		
	CHK 12/30/91			
	APPD 12/30/91	MS FEHER	NAME	
	APPD 12/30/91	C MEYERS	TAB, FASTON, .250 SERIES	
MATERIAL	PRODUCT SPEC	SIZE	CAGE CODE	DRAWING NO
082 BRASS	-	B	00779	62261
FINISH	APPLICATION SPEC	SCALE	SHEET	
-	-	5:1	1 OF 1	
	WEIGHT			
	-			